

Datasheet

Portable Dot Pin Marker BM60x40p



The portable dot pin marker BM60x40p marks high quality numbers, letters, company logos, 2D codes and special characters in steel, non-ferrous metal or plastic.

Marking head for depth marking and ideal for integration systems thanks to the patented **Differential System** and the associated, small design!

The intuitive menu navigation of the control has a complete numeric and letter keyboard and is designed for manual and integration operation. No additional PC is required.

GENERAL DESCRIPTION OF THE MARKING HEAD

Short specification Portable Dot Pin Marker BM60x40p

Weight	2.5 kg
Marking speed	max. 12 character/s
Air pressure [working pressure]	max. 6 bar
Character heights	1 - 20 mm
Marking area [axes X, Y]	60 x 40 mm
Cable length [standard]	3.5 m [optional 30 m]
Marking needle = 64HRC	regrindable
Marking depth in steel	max. 0.4 mm

Interchangeable pneumatic cylinders

Marking depth approx. 0.4 mm	Typ N20
Marking depth approx. 0.25 mm	Typ N14

NOTE:

At the customer's request, the marking unit can be used at no extra charge be equipped with an electromagnetic marking cylinder.

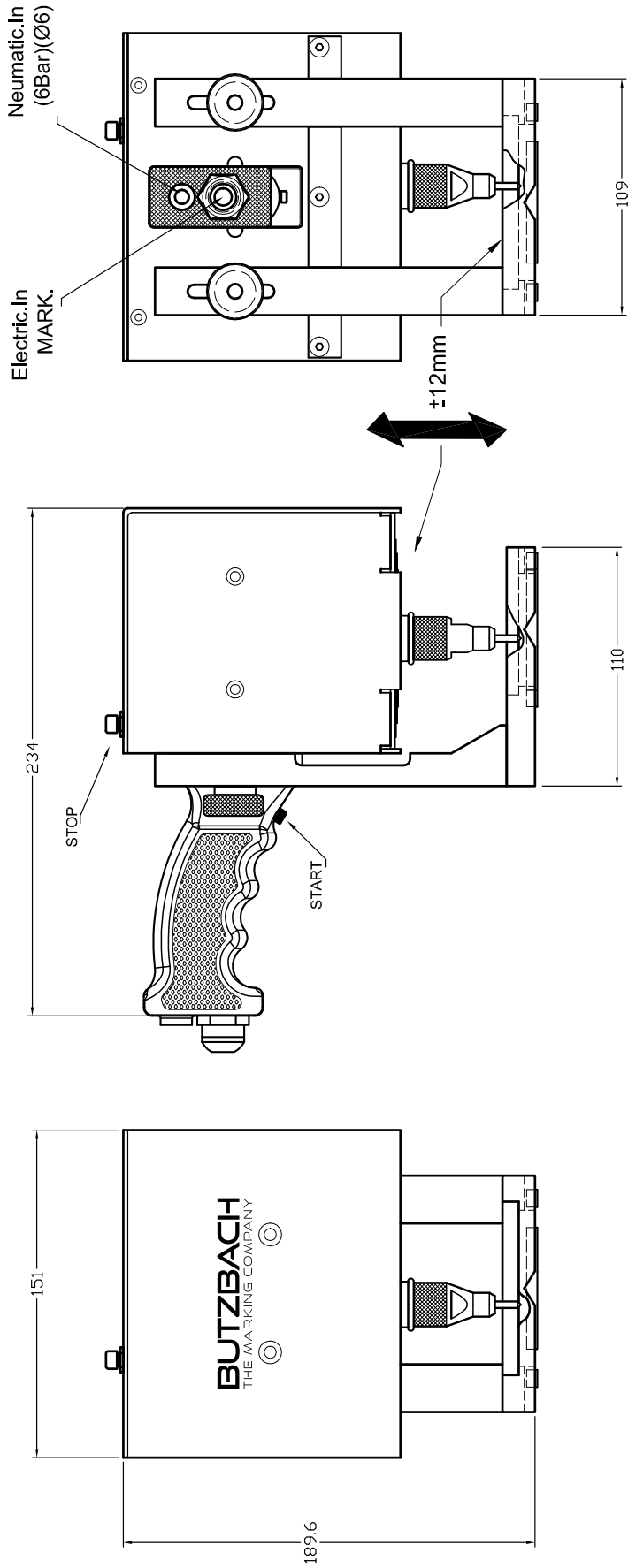
GENERAL DESCRIPTION OF THE CONTROLLER BM570

Short specification Controller BM570

Weight	7 kg
Character processing	Vector oriented
Fonts	DIN 1451, Arial, 5x7, 2D-Code
Archiving	USB
Connection to PC or SPS	RS-232, Profibus, Ethernet, Profinet
Keyboard	intern, extern [optional]
Marking type	straight, circular arc, concave a.s.o.

For a free, non-binding demonstration in your at home, we are at your disposal.

You can find more dot-pin and scratch markers with marking speeds of up to 12 characters per second and penetration depths of up to 0.8 mm at butzbach-marking.de or give us a call. We are happy to help!



Marking area:
x: 60 mm
y: 40 mm

